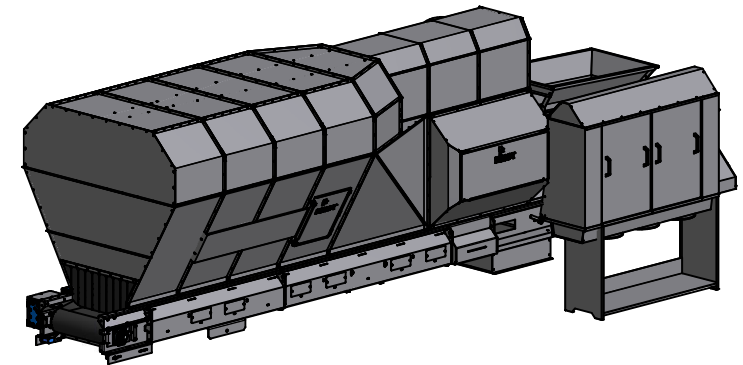
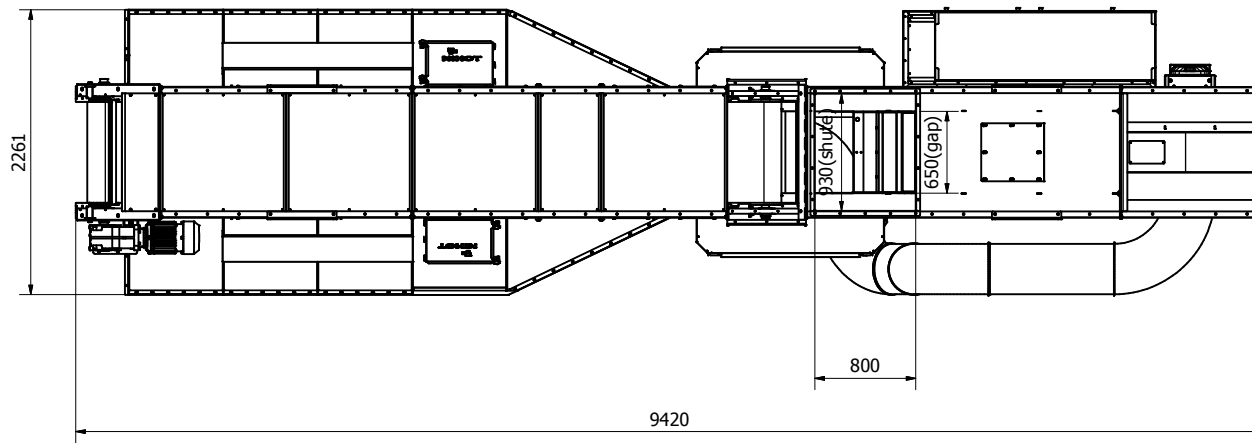
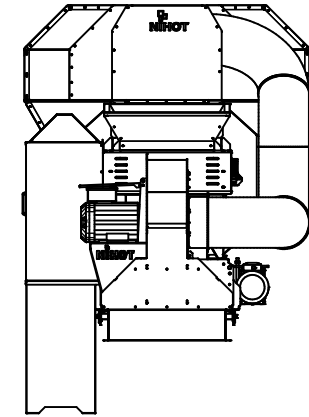
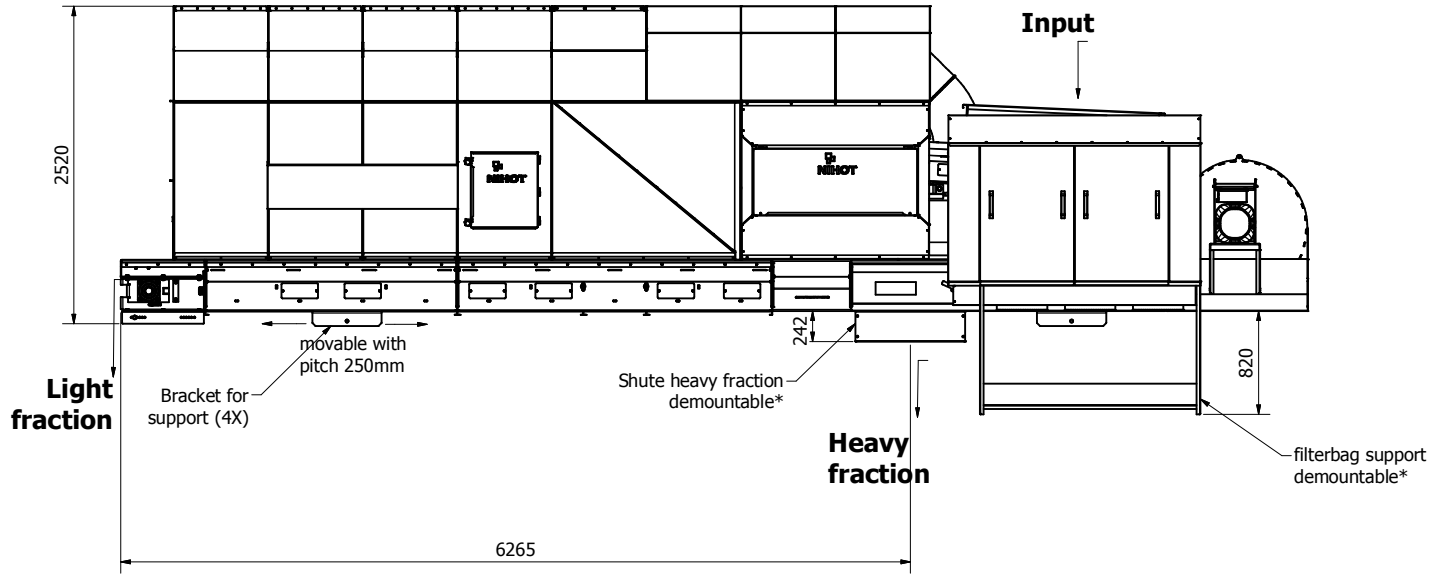


*NOT mounted in sea-container



Weight ± 4800kg

Form- and placetolerance acc. NEN-ISO 1101	General measure- and formtolerances acc. NEN-ISO 2768-CL	Registration measuretolerances acc. NEN-ISO 406	Roughness acc. NEN 3834	Weldsymbols acc. NEN-ISO 2553
Title: SDS 650i		Scale: Measurement: mm		Projection:
Drawn by: nauds		Date: 14-1-2014		Rev:
Checked by:		Date:		Size: A2
Drawing no.: 27216 BHS - San Antonio model		WEIGHT: 4725,10 kg		Sheet: 1 - 1
AREA: 340,092958,05		THIS DRAWING IS ISSUED ON CONDITION THAT IT IS NOT COPIED, REPRODUCED, EITHER WHOLLY OR PARTIALLY WITHOUT THE WRITTEN CONSENT OF NIHOT RECYCLING TECHNOLOGY BY		

14-01-2014