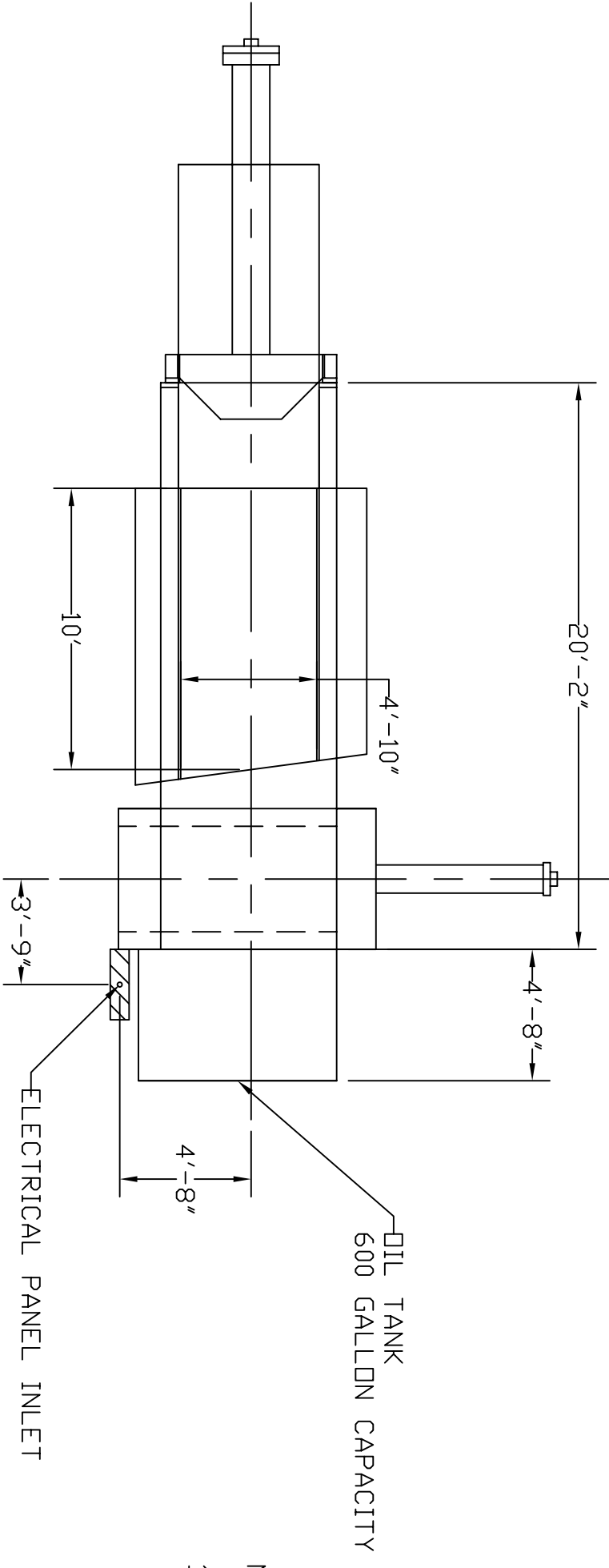
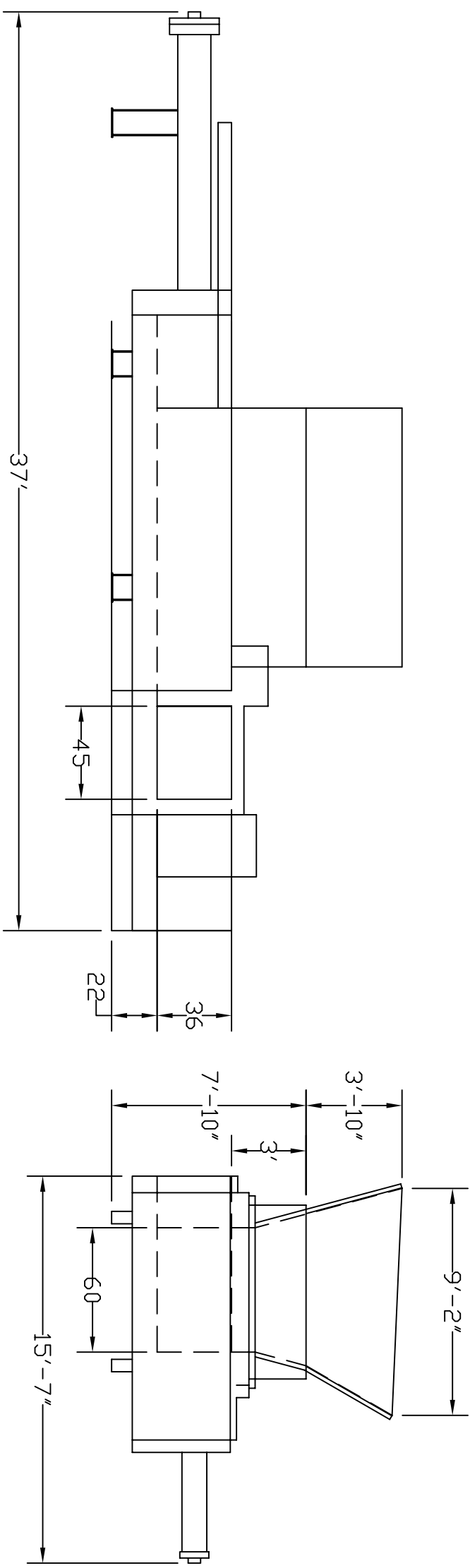


REVISION		DATE	BY	APP'D
1	DESCRIPTION			
2				



NOTE:
1. ALL DIMENSIONS ARE NOMINAL



NOTE: ALL DIMENSIONS REFERRED
AND SUBJECT TO CHANGE WITH
MODIFICATION PER DESIGN OR
CUSTOMER APPROVAL.

NOTE: THIS DRAWING IS THE PROPERTY OF
GREEN MACHINE SALES, LLC. ANY
REUSE OF THIS DRAWING WITHOUT
WRITTEN CONSENT IS UNLAWFUL.

CUSTOMER: DENNIS BRYANT
USED LOGEMANN BALER

GREEN MACHINE SALES, LLC
 5 Gigante Drive Hampstead, NH 03841
 Tel: (603) 329-7337 Fax: (603) 329-7458
 Designer's & Manufacturer's of Recycling
 &
 Solid Waste Systems

SCALE: 3/8" = 1' DATE: 04/26/08 SHEET: 1 of 1