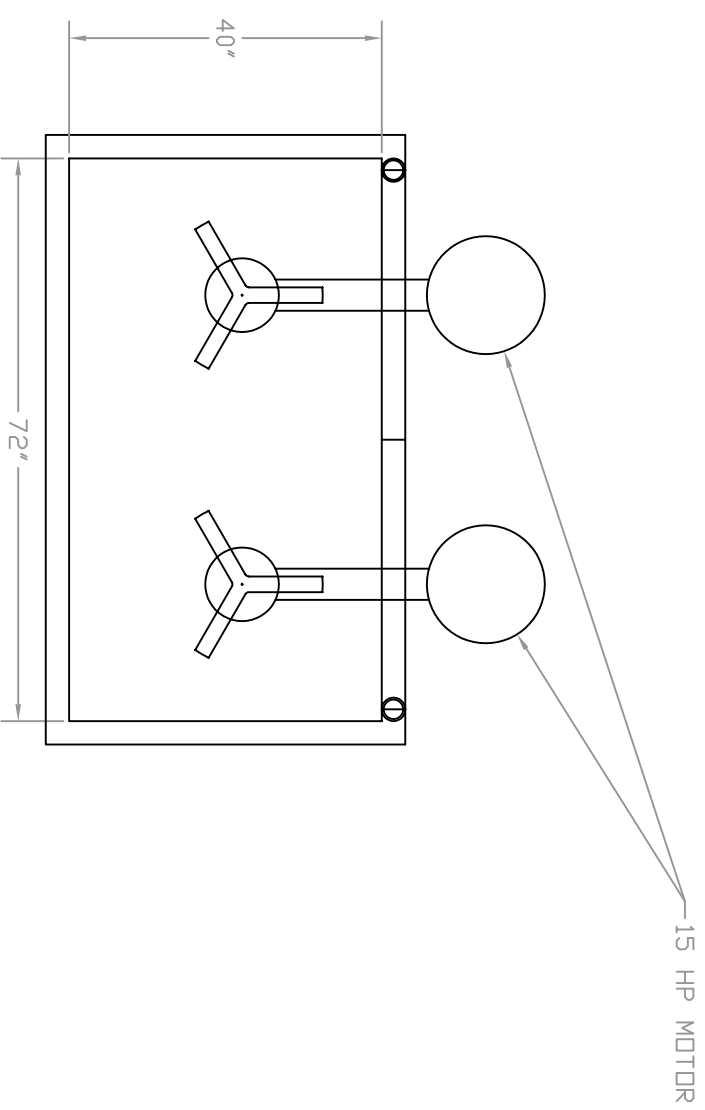
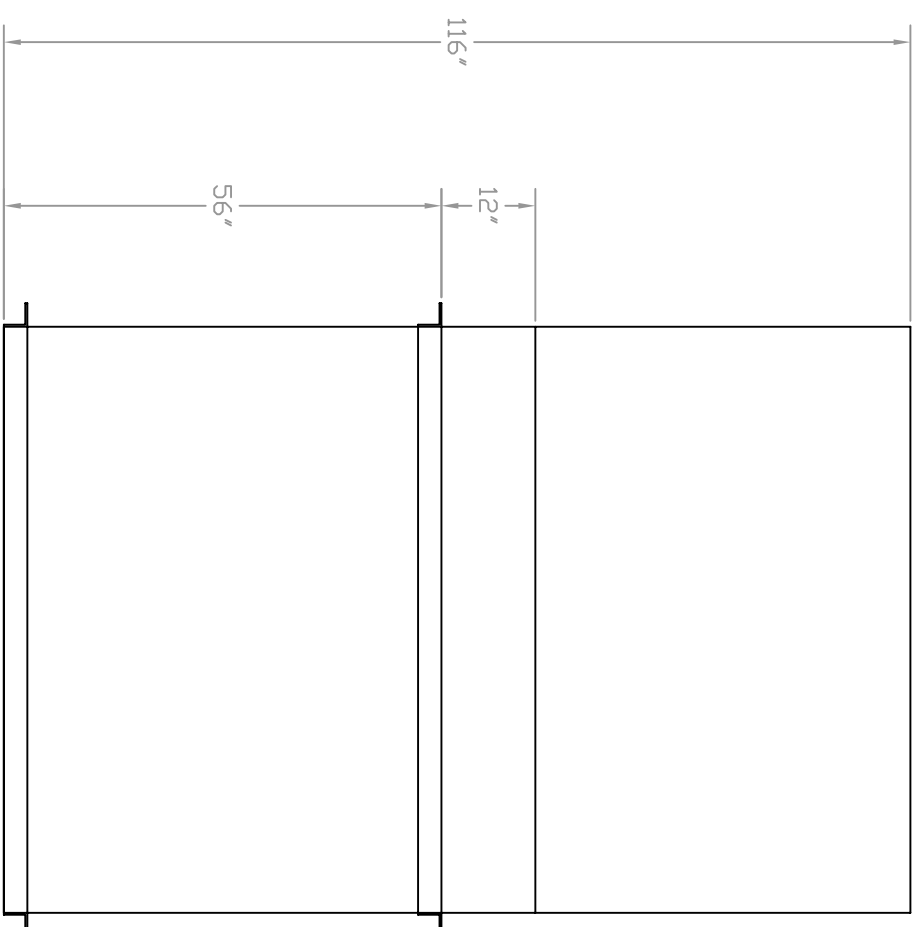


REVISION		DATE	BY	APP'D
1				
2				



NOTE: ALL DIMENSIONS REFERENCE  
AND SUBJECT TO CHANGE WITH  
NOTIFICATION PER DESIGN OR  
CUSTOMER APPROVAL.

CUSTOMER

**GREEN MACHINE SALES, LLC**

5 Gigante Drive Hampstead, NH 03841  
Tel: (603) 329-7337 Fax: (603) 329-7458  
Designer's & Manufacturer's of Recycling  
&  
Solid Waste Systems

TITLE

**USED KARL SCHMIDT FLUFFER**

DESIGNER'S & MANUFACTURER'S OF RECYCLING  
&  
SOLID WASTE SYSTEMS

SCALE	DATE	SHEET
1" = 1'	06/10/08	1 of 1

NOTE: THIS DRAWING IS THE PROPERTY OF  
GREEN MACHINE SALES, LLC. NO PART  
HEREOF OR THIS DRAWING WITHOUT  
WRITTEN CONSENT IS TO BE REPRODUCED.